

# **FIREPRO<sup>®</sup>** **FIRESTOP** **PIPE COLLARS**

Firestop solution for plastic pipework penetrations



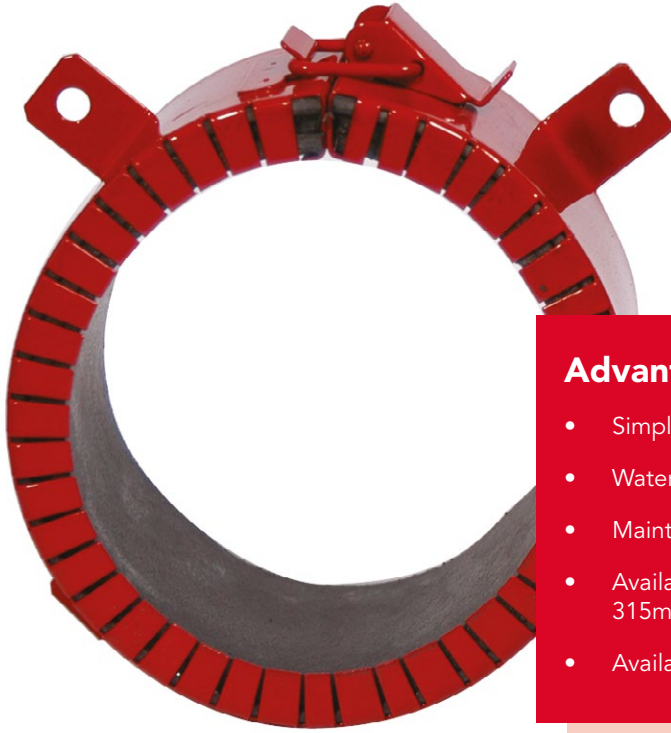
# FIREPRO® FIRESTOP PIPE COLLARS

Firestop solution for plastic pipework penetrations.

ROCKWOOL Firestop Pipe Collars provide a simple and effective method of firestopping plastic pipework where it passes through fire resistant walls and floors, providing up to four hours fire protection.



The following NBS Plus clauses include  
'Firestop Compound': P12-43 , P12-370, P12-380



### Advantages

- Simple to install
- Water resistant
- Maintenance free
- Available to suit pipe sizes ranging from 32 to 315mm O.D.
- Available from order in 48 hours

### Description

Tested to BS476 Part 20, Firestop Pipe Collars provides up to 4 hours fire protection.

Firestop Pipe Collars consist of a corrosion resistant powder coated steel sleeve, containing a flexible graphite based intumescent liner manufactured to suit the pipework to be firestopped. Integral toggles are opened up and the collar is simply fitted around the plastic pipe.

The toggles are closed and the collar is pushed flush to the surface of the wall or underside of floor. The collar is then securely fastened to the structure by means of fire resistant fixings threaded through fixing tabs.

Gaps of up to 15mm between the substrate and service pipework should be filled with ROCKWOOL Acoustic Intumescent Sealant.

For gaps greater than 15mm wide ROCKWOOL Firestop Compound can be used. Under fire conditions the intumescent material within the collar expands, crushing the pipework and fill the void left by the pipework.

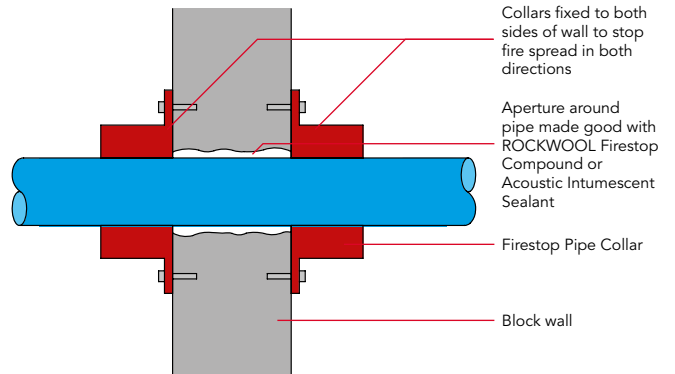


Figure 1



Figure 2

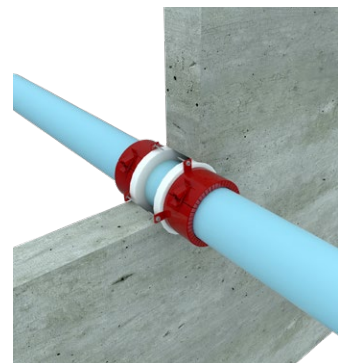


Figure 3

## Performance

ROCKWOOL Firestop Pipe Collars and Palm Collars have been tested according to either BS476 Pt 20 or EN1366-3. The independently prepared assessment, detailing the full scope of fire performance, is available from the ROCKWOOL Technical Solutions Team.

ROCKWOOL Firestop Pipe Collars provide up to 4 hours fire resistance integrity and insulation for PVC, cPVC, uPVC, PE, PP, MDPE and HDPE pipes up to a maximum 7mm wall thickness, for pipes from 32mm to 160mm. Collars may also be fitted to plastic pipes constructed from ABS or muPVC with a maximum outside diameter of 55mm.

ROCKWOOL Firestop Palm Collars can provide up to 4 hours fire resistance and are suitable for PVC, HDPE and PP pipes.

The performance of the collar will be determined by the performance of the substrate, so should 2 hours be the requirement of the collar then the substrate should be rated to no less than the collar.

For advice on particular types and sizes of pipes or particular applications, please refer to our standard details pack available via [www.rockwool.co.uk](http://www.rockwool.co.uk) or contact the Technical Solutions Team on 01656 868490.

**Table 1**  
Performance in masonry supporting walls

Collar type	Maximum pipe O.D. (mm)	Collar depth (mm)	Fire resistance (mins)	
			Integrity	Insulation
2 hour	32-55	60	120	120
	82	60	120	120
	110	60	120	120
	160	60	120	120
4 hour	32-55	60	240	240
	82	60	240	240
	110	60	240	240
	160	60	240	240

**Table 2**  
Performance in plasterboard supporting walls

Collar type	Maximum pipe O.D. (mm)	Collar depth (mm)	Fire resistance (mins)	
			Integrity	Insulation
1 hour	32-55	60	60	60
	82	60	60	60
	110	60	60	60
	160	60	60	60
2 hour	32-55	60	120	120
	82	60	120	120
	110	60	120	120
	160	60	120	120

**Table 3**  
Performance in concrete floors

Collar type	Maximum pipe O.D. (mm)	Collar depth (mm)	Fire resistance (mins)	
			Integrity	Insulation
2 hour	32-55	60	120	120
	82	60	120	120
	110	60	120	120
	160	60	120	120
4 hour	32-55	60	240	240
	82	60	240	240
	110	60	240	240
	160	60	240	240

**Table 4**  
Pipe Collar wall thickness

Pipe diameter (mm)	Approved wall thickness (mm)							
	PVC		HDPE		PP		ABS	
	Min	Max	Min	Max	Min	Max	Min	Max
32	1.8	2.0	3.0	3.4	1.8	2.2	1.8	2.2
40	1.9	2.1	3.0	3.5	1.9	2.3	1.9	2.3
50	2.0	2.2	3.0	3.5	2.2	2.4	2.0	2.4
55	2.0	3.2	3.0	3.5	2.2	2.4	4.0	4.5
82	3.0	3.5	3.0	3.5	2.6	5.0	N/A	N/A
110	3.2	3.6	4.2	5.0	3.4	5.3	N/A	N/A
160	3.2	3.8	6.2	7.1	4.8	5.3	N/A	N/A

**Table 5**  
Performance of 60mm (depth) Palm Collar

Pipe Material	Maximum pipe O.D.	Maximum pipe wall thickness (mm)	Intumescent depth x thickness (mm)	Wall/Floor	Fire resistance (mins)	
					Integrity	Insulation
Polypropylene (PP)	200	7	60 x 24	Wall or Floor	120	120
PVC or HDPE	200	6	60 x 24	Wall or Floor	240	240

**Table 6**  
Performance of 200mm (depth) Palm Collar

Pipe Material	Maximum pipe O.D.	Maximum pipe wall thickness (mm)	Intumescent depth x thickness (mm)	Wall/Floor	Fire resistance (mins)	
					Integrity	Insulation
PVC or HDPE	225	6	60 x 24 (Two pieces)	Surface mounted wall or floor	240	240
PVC or HDPE	250	6	60 x 24 (Two pieces)	Surface mounted wall or floor	240	240
PVC, cPVC, PE, MDPE, HDPE, uPVC	400	6	125 x 40	Surface mounted wall or floor	120	120
Polypropylene (PP)	225	22	60 x 24 (Two pieces)	Surface mounted wall only	120	120
Polypropylene (PP)	225	22	60 x 24 (Two pieces)	Cast-in wall only	180	180
Polypropylene (PP)	250	22	60 x 24 (Two pieces)	Surface mounted wall only	90	90
Polypropylene (PP)	250	22	60 x 24 (Two pieces)	Cast-in wall only	180	180
Polypropylene (PP)	400	6	200 x 42	Surface mounted wall or floor	120	120

## Technical information

### Maintenance

It is recommended that fire stopping is checked as part of the routine maintenance program to ensure that it has not been damaged, displaced, etc.

## Installation

### Installation of Pipe Collars in walls

1. Fill any annular gaps between the pipe and the substrate with either ROCKWOOL Acoustic Intumescent Sealant (min 10mm depth) for annular gaps not exceeding 7.5mm or Firestop Compound for gaps greater than 7.5mm.
2. Undo the toggle clip on the Firestop Pipe Collar and open it out.
3. Slide the Firestop Pipe Collar, with its fixing tabs pointing towards the face of the wall, around the plastic pipe.
4. Lock the Firestop Pipe Collar around the pipe closing the toggle clip. Push the Firestop Pipe Collar back on to the wall.
5. Fix the Firestop Pipe Collar to the wall by means of 32 x 8mm steel self-tapping screws, through the fixing tabs (or fire rated fixings to suit the substrate).
6. Repeat for the other side of the wall if required.

### Installation of Pipe Collars in floors

1. Fill any annular gaps between the pipe and the substrate with either ROCKWOOL Acoustic Intumescent Sealant (min 10mm depth) for annular gaps not exceeding 7.5mm or Firestop Compound for gaps greater than 7.5mm.
2. Undo the toggle clip on the Firestop Pipe Collar and open it out.
3. Slide the Firestop Pipe Collar, with its fixing tabs pointing up towards the face of the soffit, around the plastic pipe.
4. Lock the Firestop Pipe Collar around the pipe closing the toggle clip. Push the Firestop Pipe Collar back on to the soffit.
5. Fix the Firestop Pipe Collar to the soffit by means of 32 x 8mm steel self-tapping screws, through the fixing tabs.

### Installation of Palm Collars

1. Fill any annular gaps between the pipe and the substrate with either ROCKWOOL Acoustic Intumescent Sealant (min 10mm depth) for annular gaps not exceeding 7.5mm or Firestop Compound for gaps greater than 7.5mm.
2. Slide the Palm Collars around the pipe with the fixing tabs facing the solid wall/floor surface.
3. Secure the collar to the pipe using either the steel toggles (60mm depth collars) or clasps (200mm depth collars).
4. Surface mount the collar to the solid wall/floor substrate with screws/bolts fitted through the fixing tabs. Fixings used to secure the collar should be a minimum of 50mm in length.
5. Repeat for both sides of the solid wall/floor.

### Cast in applications

Where 'cast-in' applications are approved, the Palm Collar is fitted in an enlarged hole within the structure, ensuring that at least 30mm of the collar is exposed on each face of the wall. The annular gap around the pipe collar is then filled with ROCKWOOL Firestop Compound.

## Specification clauses

FIREPRO Firestop Pipe Collars are associated with the following NBS clauses:

P12 Fire stopping systems

- 370 Pipe collar: Concealed Intumescent sealant
- 380 Pipe collar: Surface mounted intumescent

## Disclaimers

This product should only be utilised for applications as outlined in the relevant ROCKWOOL product datasheet and in accordance with the relevant ROCKWOOL Fire Resistance Testing. Additionally, the product must be installed in accordance with the current ROCKWOOL guidelines. For further information please visit [www.rockwool.co.uk](http://www.rockwool.co.uk) or contact our Technical Solutions Team on 01656 868490.

## Sustainability

As an environmentally conscious company, ROCKWOOL promotes the sustainable production and use of insulation and is committed to a continuous process of environmental improvement.

All ROCKWOOL products provide outstanding thermal protection as well as four added benefits:



**Fire resistance**



**Acoustic comfort**



**Sustainable materials**



**Durability**

## Health & Safety

The safety of ROCKWOOL stone wool is confirmed by current UK and Republic of Ireland health & safety regulations and EU directive 97/69/EC: ROCKWOOL fibres are not classified as a possible human carcinogen.

A Material Safety Data Sheet is available and can be downloaded from [www.rockwool.co.uk](http://www.rockwool.co.uk) to assist in the preparation of risk assessments, as required by the Control of Substances Hazardous to Health Regulations (COSHH).

## Environment

Made from a renewable and plentiful naturally occurring resource, ROCKWOOL insulation saves fuel costs and energy in use and relies on trapped air for its thermal properties.

ROCKWOOL insulation does not contain (and has never contained) gases that have ozone depletion potential (ODP) or global warming potential (GWP).

ROCKWOOL is approximately 97% recyclable. For waste ROCKWOOL material that may be generated during installation or at end of life, we are happy to discuss the individual requirements of contractors and users considering returning these materials to our factory for recycling.



## Interested?

For further information, contact the Technical Solutions Team on 01656 868490 or email [technical.solutions@rockwool.co.uk](mailto:technical.solutions@rockwool.co.uk)

Visit [www.rockwool.co.uk](http://www.rockwool.co.uk) to view our complete range of products and services.

Copyright ROCKWOOL April 2018.

April 2018

**ROCKWOOL Limited**

Pencoed  
Bridgend  
CF35 6NY

Tel: 01656 862 621  
info@rockwool.co.uk  
rockwool.co.uk

